

DATASHEET

Type: **BIG ONE**
Name: Pendant light
ID: PC1335
Designed by: Lucie Koldová



Download

Description

In keeping with the brand's ongoing development of new technologies at the highest levels of quality and innovation, this year the Big One collection has received a technological upgrade in the form of a new LED panel that significantly increases the output of the lights. Enhanced metal components simplify handling. The outer glass features a gloss finish in the following colour options: transparent, smoke grey transparent, and a new smoke brown. The inner glass features a matte finish in the following colour options: triplex opal, smoke grey transparent, red transparent, light pink transparent, and a new smoke brown. The Big One collection is available in two sizes.



Tech. description

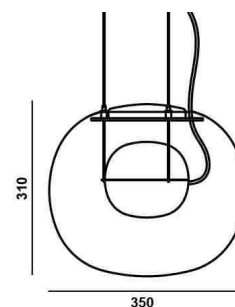
The Big One collection has undergone technological improvements in 2022 and 2023. The two halves of the glass core of the light are coupled by means of milled dural rings fitted with LED modules. The outer glass sphere is attached to the stainless-steel wire suspension ropes with a sophisticated mechanism that allows disassembly and reassembly by simply releasing the levers on top of the ring. The light is hung from a steel ceiling canopy, which also houses the electronics.

Colours options: https://brokis.sharepoint.com/:b:/s/brokis_sp/EbM5v6PQCHRLkHiuo9UPKc4BhALXNvBWrGLwBO-WcCmxEA

CONSTRUCTION SPECIFICATION

Weight: 6.5 kg
Construction material: glass, metal
Cord length [mm]: 2,200 mm
Mounting: Ceiling
Environment: Indoor

DIMENSIONS [mm]



ELECTRICAL SPECIFICATION

Input voltage [V]: 100 - 240 V
Frequency [Hz]: 50-60 Hz
Max. power [W]: 15 W LED
Coverage IP: 20
Socket: LED module
Light source: -
Energy class: E

CERTIFICATIONS



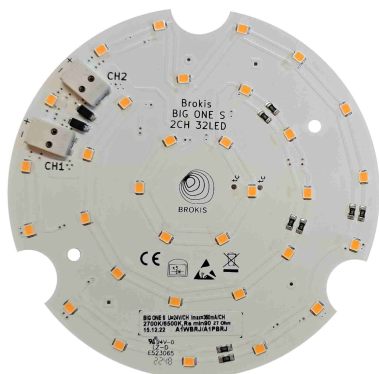
BROKIS®

BROKIS S.R.O.
ŠPANILOVA 1315/25
163 00 PRAHA 6 - ŘEPY
CZECH REPUBLIC

ORG ID 64940799
VAT ID CZ64940799
C 42174 MĚSTSKÝ SOUD
V PRAZE

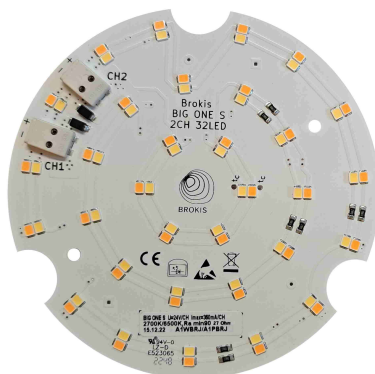
TEL +420 567 211 517
TECHNICAL@BROKIS.CZ
INFO@BROKIS.CZ
WWW.BROKIS.CZ

2023_04
PAGE 1



CM16711

Type	LED module
Lamp wattage [W]	7.5 W
Input voltage [V]	24 VDC
Energy class	E
Flux [lm]	947 lm
Light colour [K]	2700 K
CRI	90+
Dimmable	yes



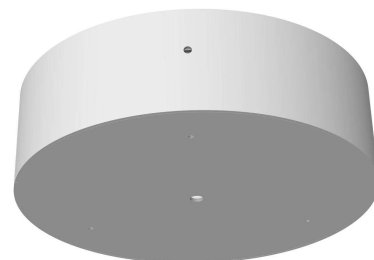
CM16293

Type	LED module
Lamp wattage [W]	7.5 W
Input voltage [V]	24 VDC
Energy class	E
Flux [lm]	947-1017 lm
Light colour [K]	2700-6500 K
CRI	90+
Dimmable	yes - tunable white

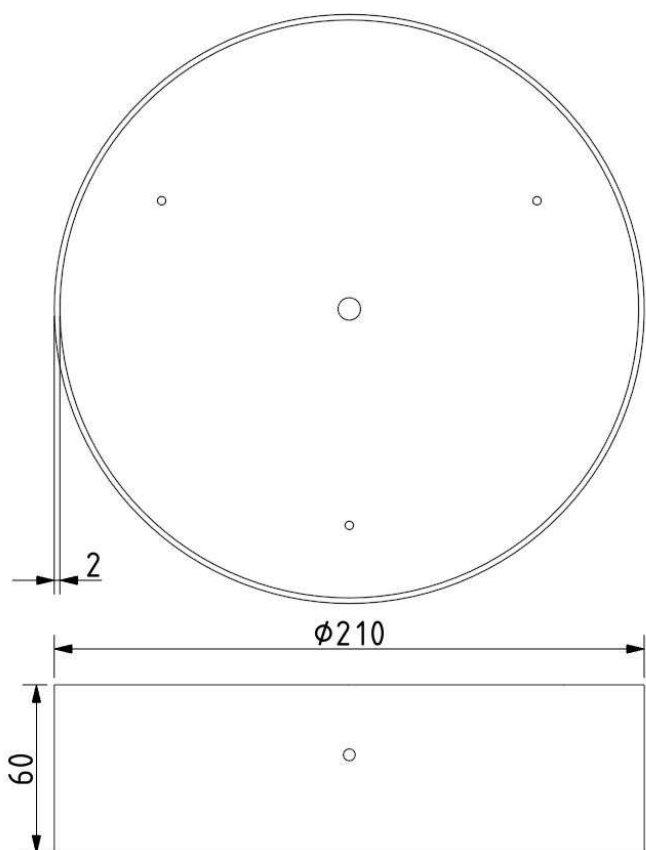


INNER FIXTURE

Dimensions O x w [mm] 210 x 60 mm
Weight [kg] 1.7 kg
Material metal



Drawing



Hole placement

